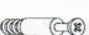






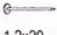


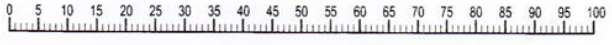
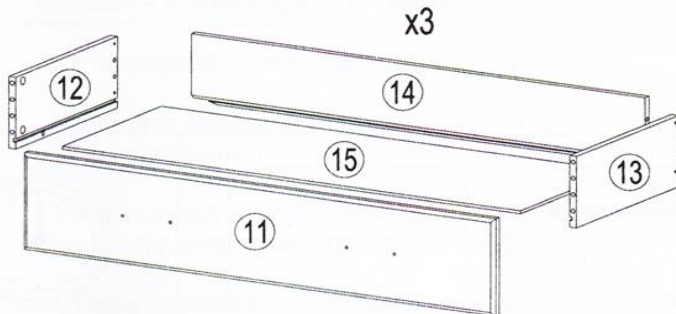
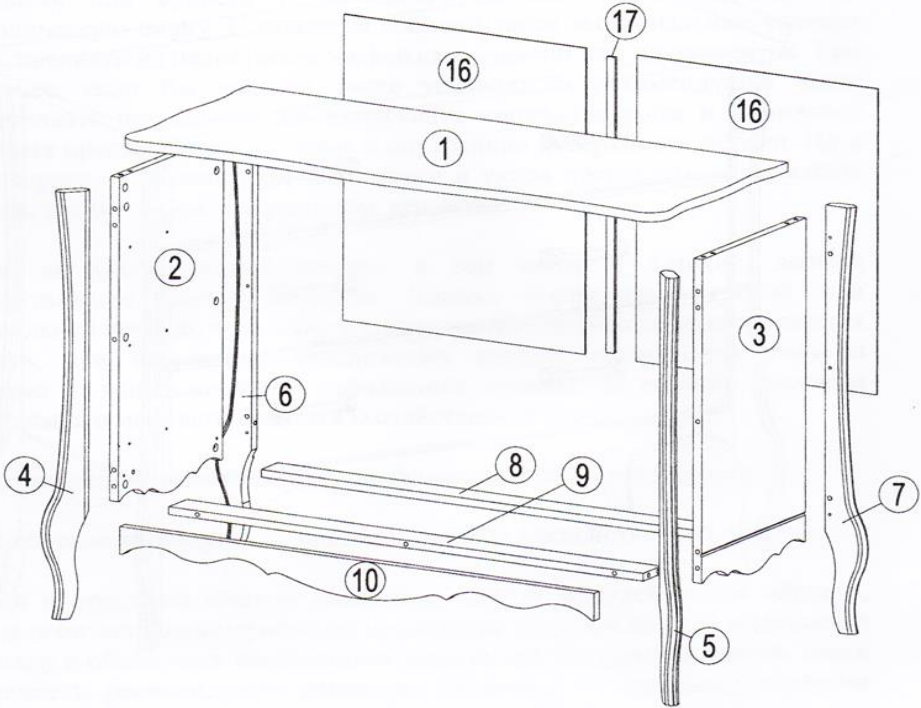
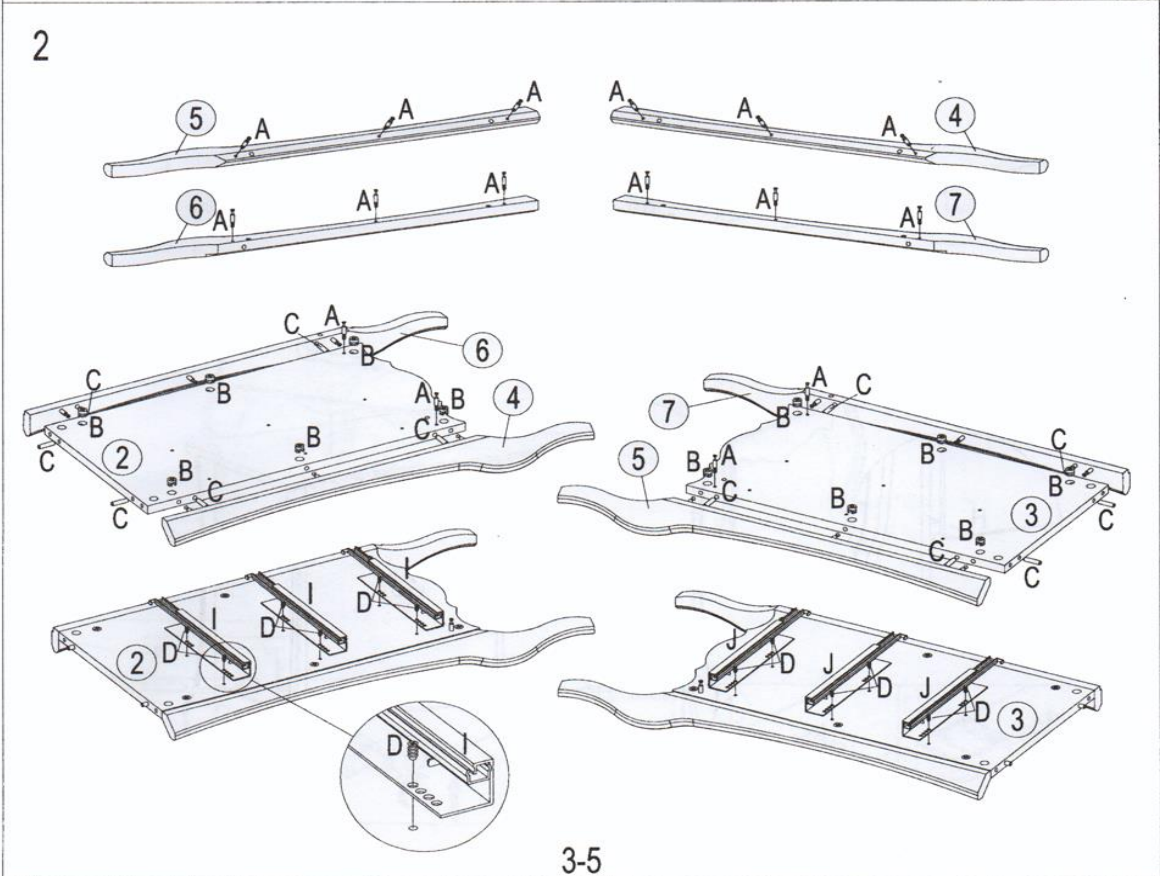
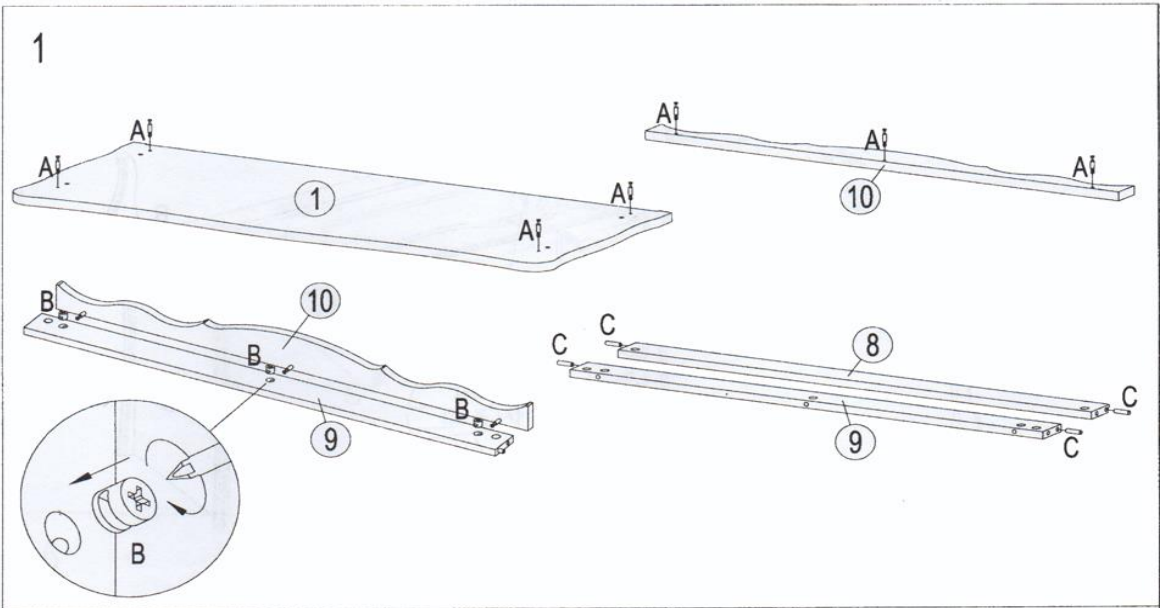


90 min

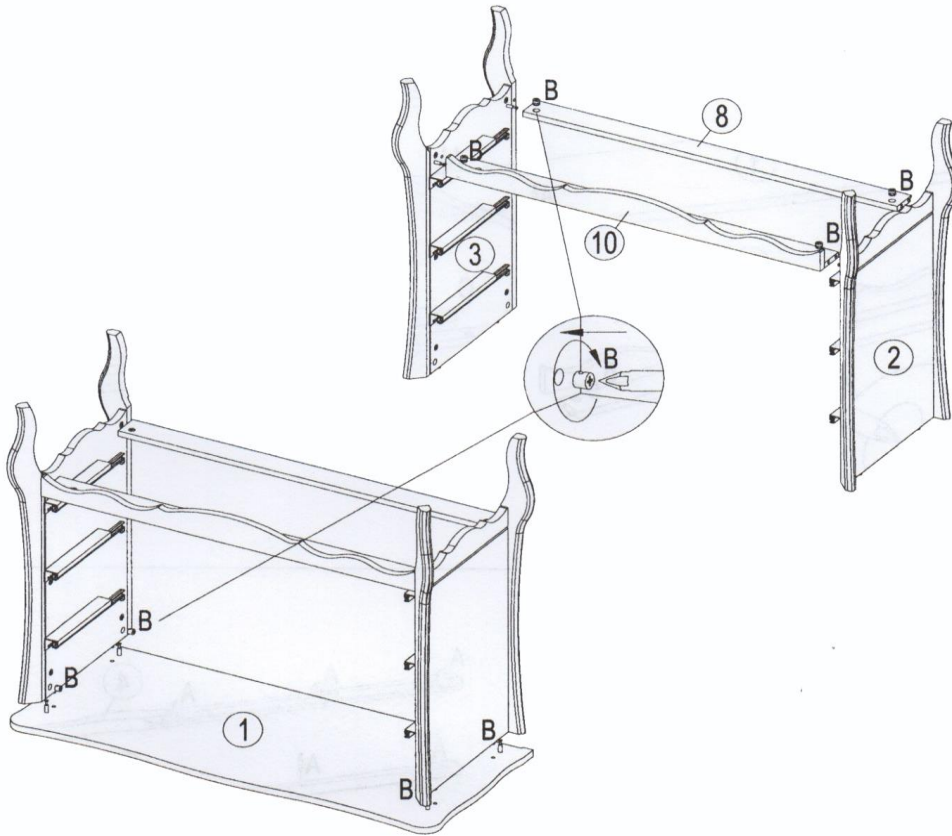
1-5

Ax35 	Bx35 	Cx40 	Dx12  6,17,8x13	Ex12  M4x22	Fx6 
Gx12  Ø4x35	Hx25  1,2x20	Ix3 	Jx3 		

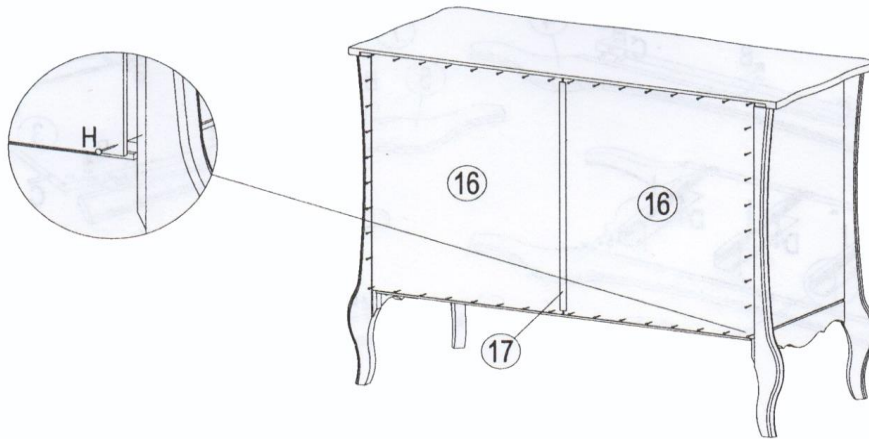




3

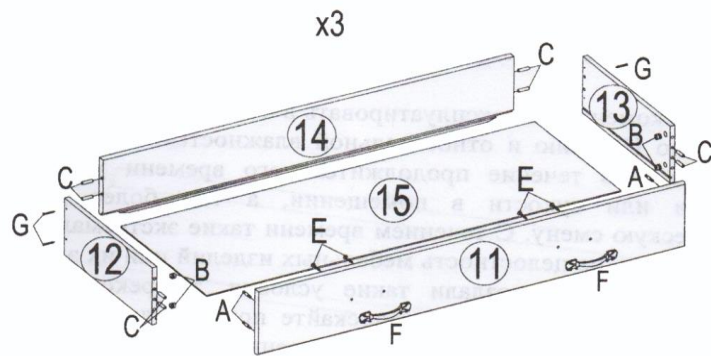


4

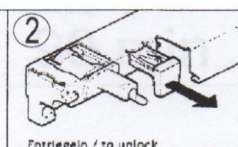
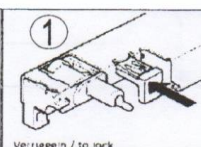
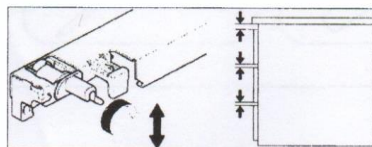
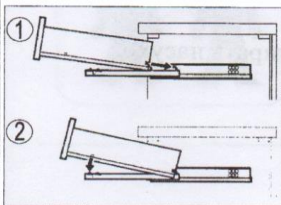
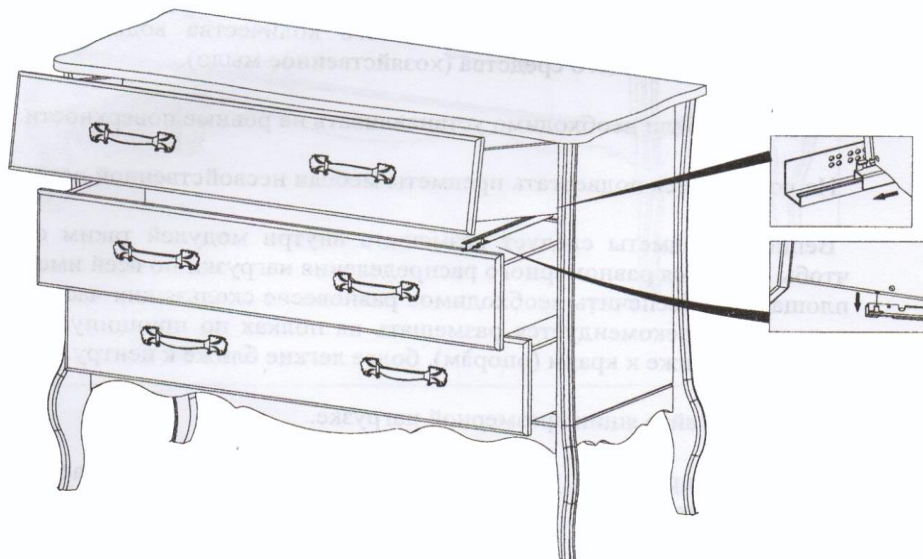


4-5

5



6



5-5